

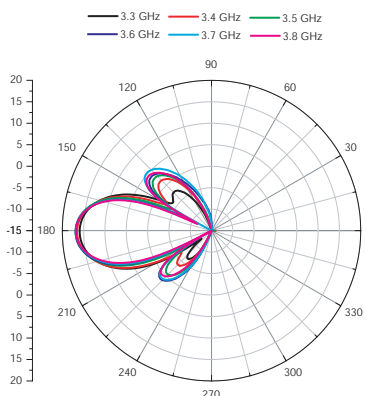
# 15dBi High Gain Directional Antenna for WiMAX 3.3GHz~3.8GHz

**MGA-DS-15A**

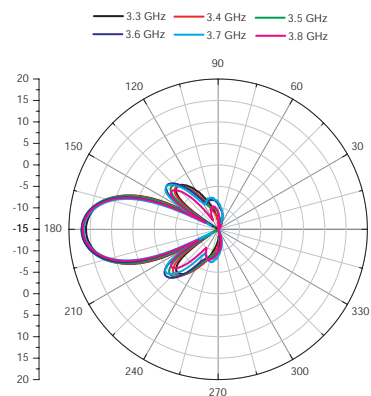
**Data Sheet**



H-Plane Co-Polarization Patterns



V-Plane Co-Polarization Patterns



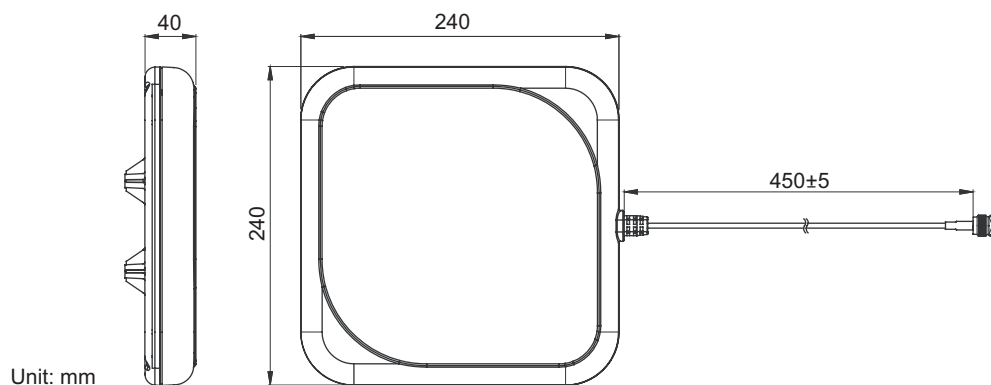
## Electrical Specification

|                  |                         |
|------------------|-------------------------|
| Frequency Range: | 3.3GHz~3.8GHz           |
| Peak Gain*:      | 15 dBi                  |
| VSWR:            | 1.92:1 max.             |
| HPBW /H:         | 24°                     |
| HPBW /V:         | 24°                     |
| Impedance:       | 50 ohms                 |
| Polarization:    | Linear; Vertical        |
| Power Handling:  | 10 W                    |
| Connector:       | N Jack                  |
| Cable:           | CFD -200(Black) L: 45cm |
| ETSI Standard:   | EN302 085 TS2 Range1    |

\*Excluding cable loss

## Mechanical Specification

|                        |                            |
|------------------------|----------------------------|
| Operating Temperature: | -30°C~80°C                 |
| Storage Temperature:   | -40°C~85°C                 |
| Humidity:              | 95% RH                     |
| Radome Material:       | ABS + uv resistance        |
| Color:                 | Gray                       |
| Dimensions:            | L240 x W240 x H40          |
| Weight:                | 670 gf                     |
| Mounting Function:     | Pole Mount.<br>Wall Mount. |



Unit: mm